

FINISHES

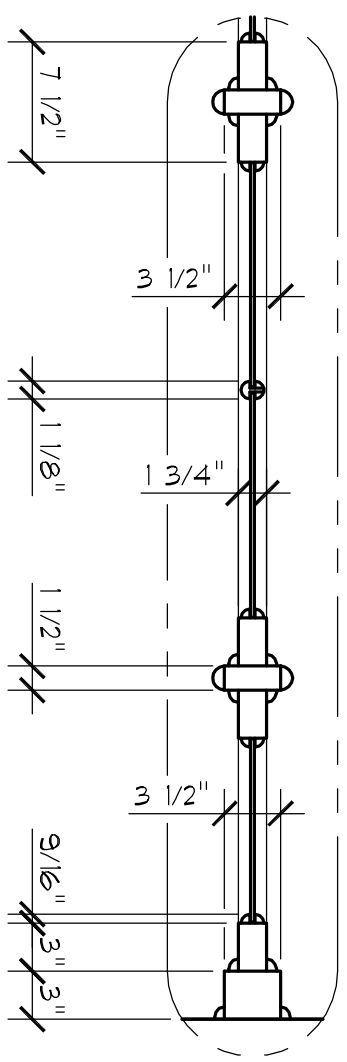
- PL-1 Wilsonart, Brighton Walnut
- PL-3 Mfr. TBD, Black
- ML-1 Black Melamine

- STN-5 Granite, New Venturian Gold, 3/4"
- STN-7 Granite, Match Existing Accent
- STN-8 Granite, Match Existing Bldg. Ext.

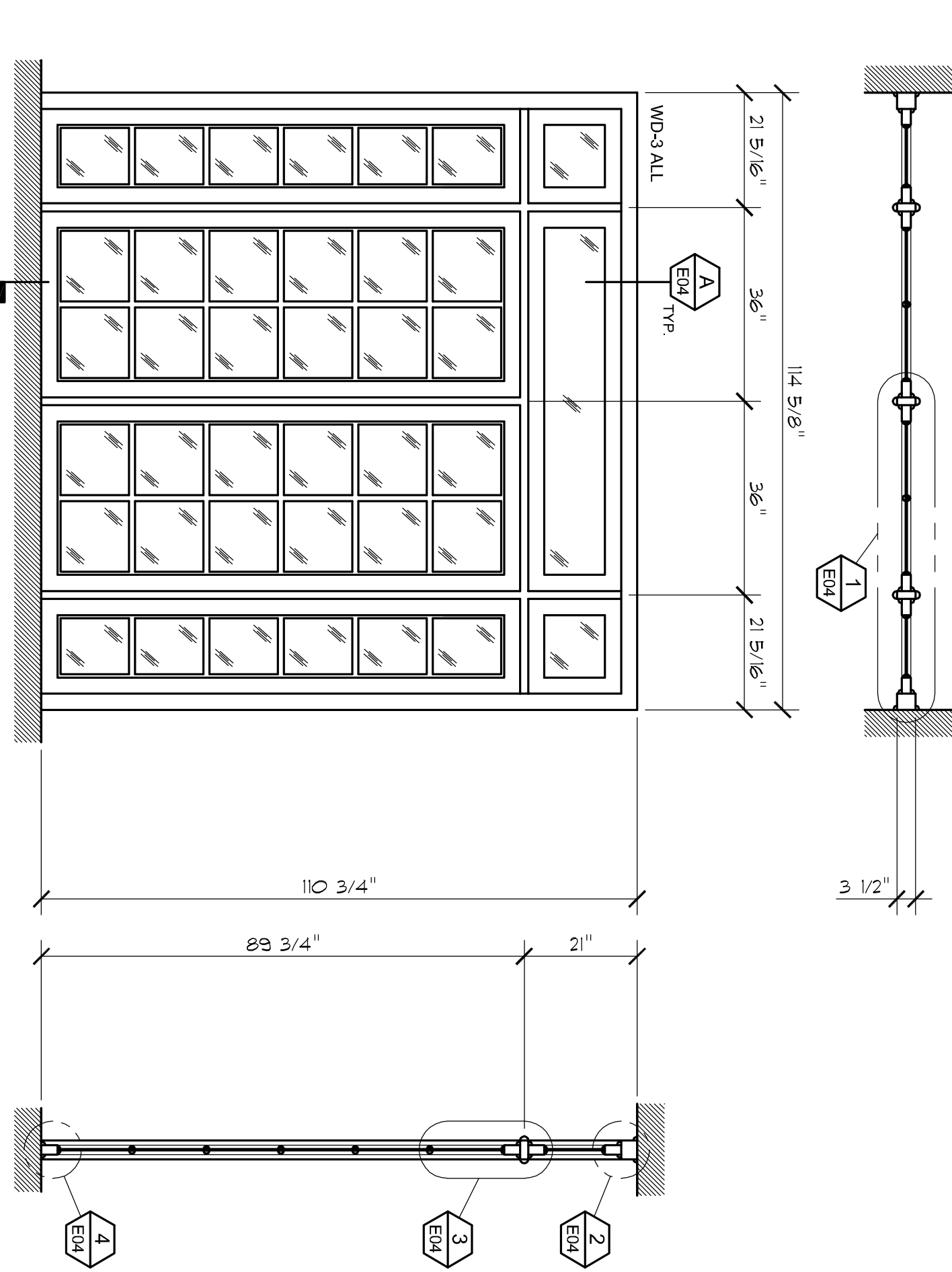
- WD-2 Solid Hardwood, Match Existing
- WD-2a Veneer Plywood, Match Existing
- WD-3 Solid Hardwood, Match Existing
- FAB-3 Premium Sisal, Seagrass Hemp & Jute Weaves
- AP-1 Acrylic Panel, LasSpec Lighting #CL34, Amber Wave

HARDWARE

- HDW-1 Pulls, Hafele #117.05.600, S.S.
- HDW-2 Slides, Accuride, F.E., 100#, 20"
- HDW-3 Hinges, Blum Clip, 120°
- HDW-4 Shelf Pins, 5mm Pin Type
- HDW-5 Grooves w/ Cap #PLA-066, 02.1/2", Black
- HDW-6 Locks, Korstan #K20 w/ Slotted Strike Piece
- HDW-7 Sliding Door Hdw., Mfr., Slvr & Finish TBD

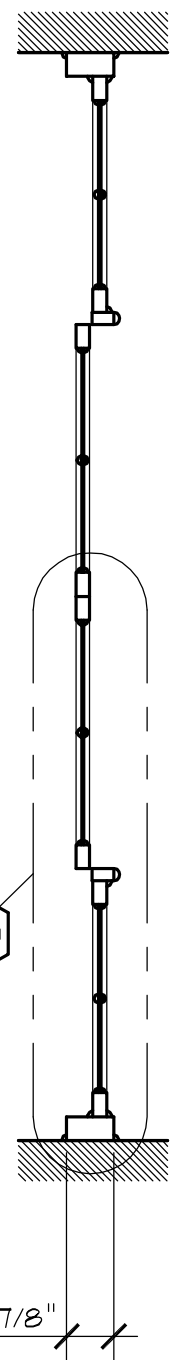
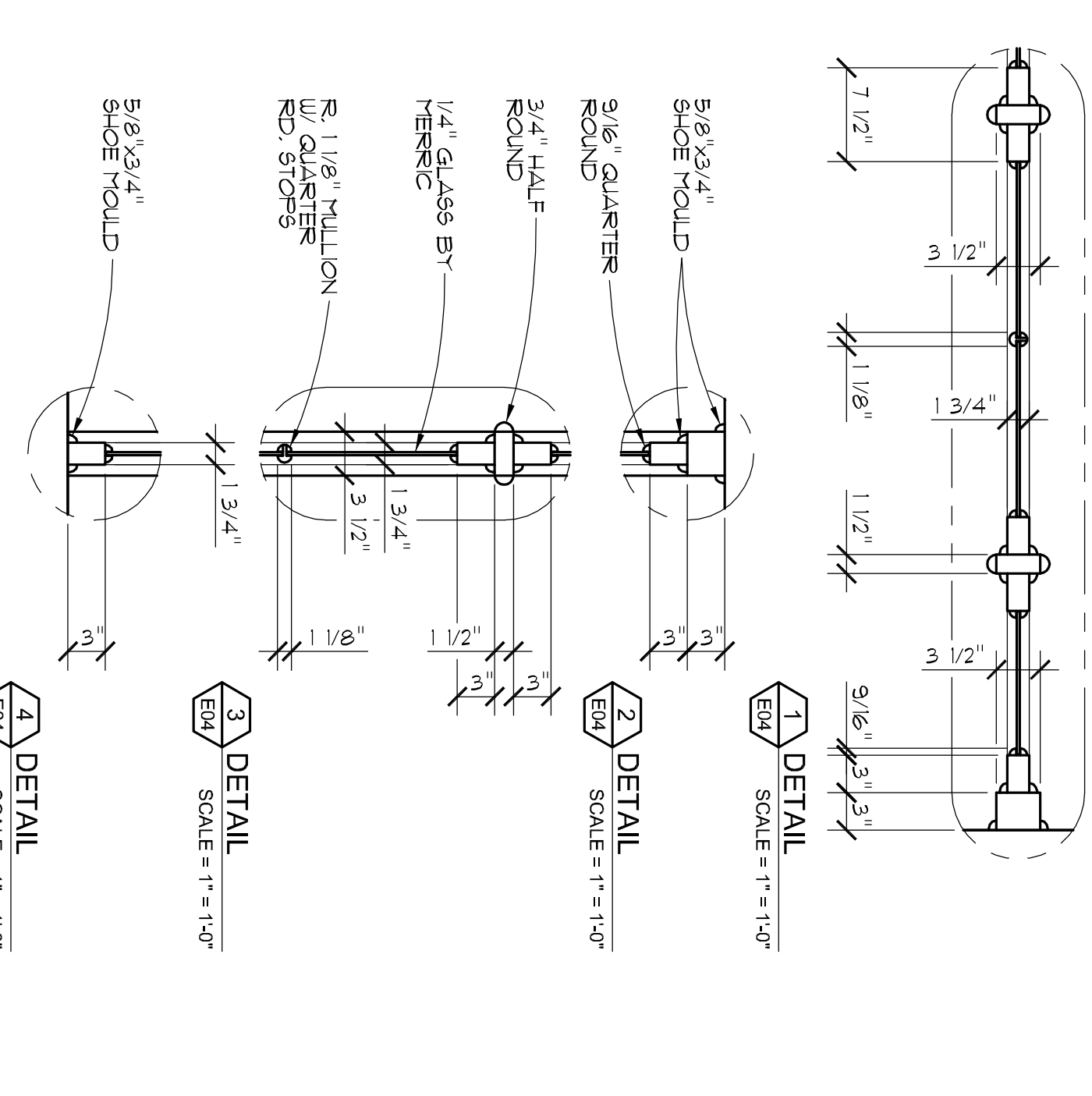


1 DETAIL
SCALE = 1" = 1'-0"



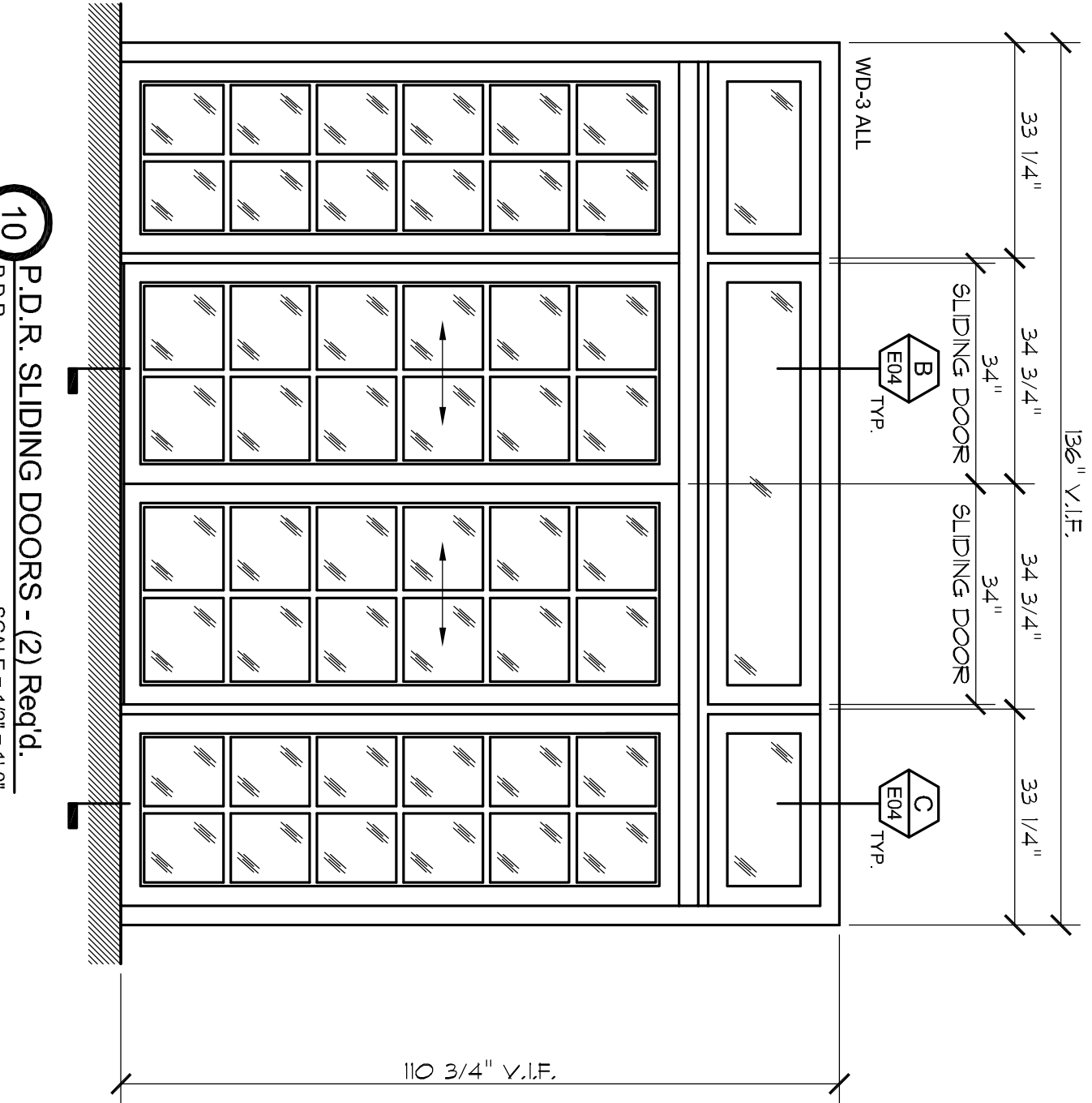
09 RESTAURANT WINDOW WALL
SCALE = 1/2" = 1'-0"

A SECTION
E04
SCALE = 1/2" = 1'-0"



5
E04

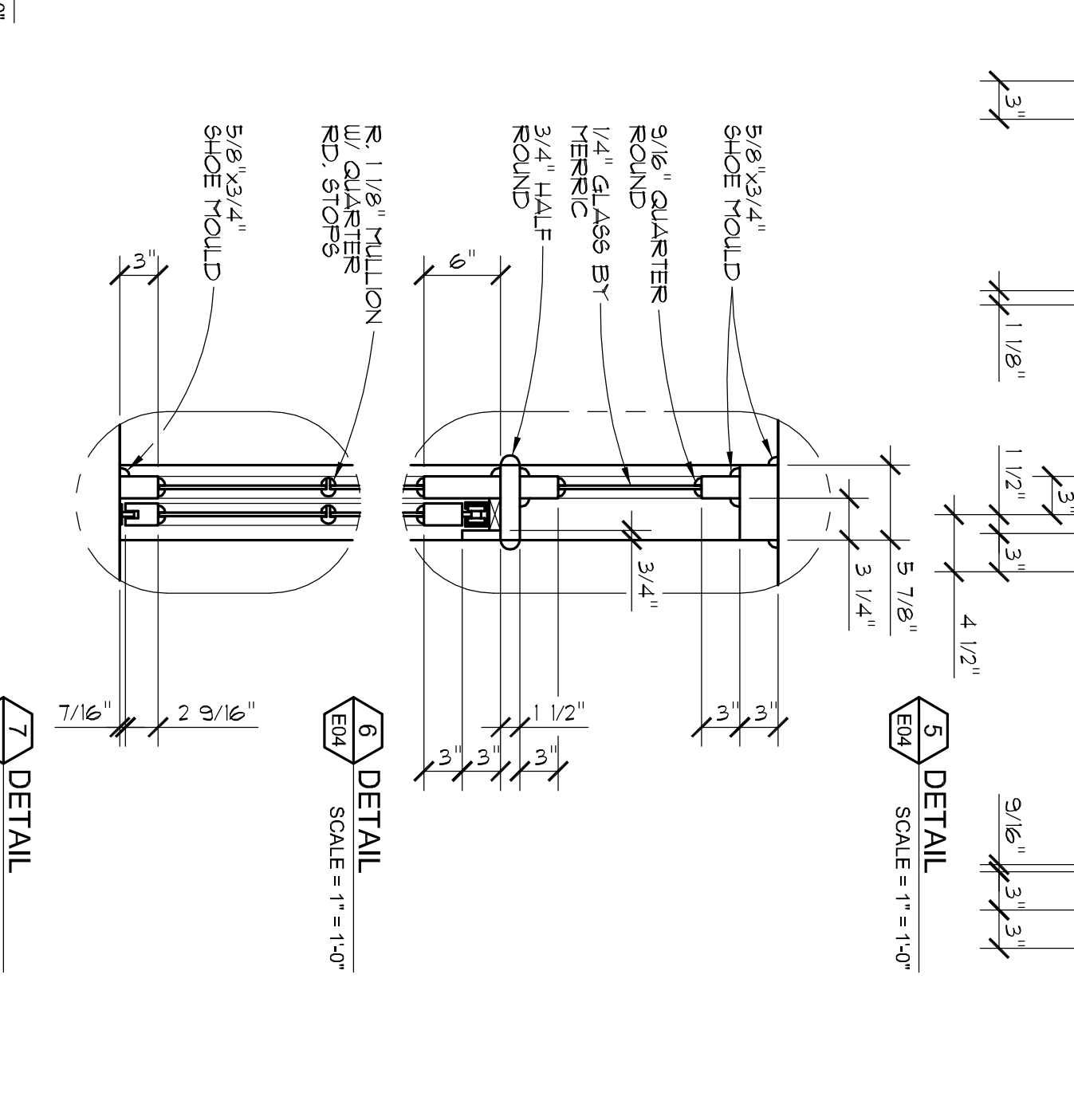
5 7/8"



10 P.D.R. SLIDING DOORS - (2) Req'd.
P.D.R.
SCALE = 1/2" = 1'-0"

B SECTION
E04
SCALE = 1/2" = 1'-0"

C SECTION
E04
SCALE = 1/2" = 1'-0"



Project: Sheraton Hotels & Resorts	
San Diego, California	
Architect: Portfolio Associates 14900 Woodham, Suite 125 Houston, Texas 77075	
Contractor: Continental Contractors	
Project No:	Phase / Revision No.
Drawn By: TBD	N/A OR
Shts: 04/21/07	Scale: 1/2" = 1'-0"
Checked By:	Shop Comp. Date:
Drawing Number: E04	
Engineering:	Detailer: GPC: